

Main Features:-

- ◆ Bi-Directional Knife Gate Valve
- ◆ Manually Operated With A Handwheel
- ◆ Flanged PN10
- ◆ On/Off or Regulation
- ◆ Thickness 150 microns

*Temperature and pressure determined by valve body, seat etc.

Suitable Applications & Approvals:



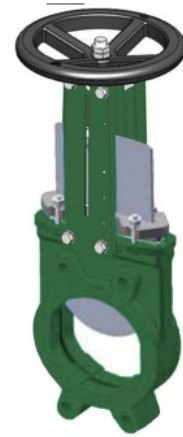
WASTE



INDUSTRY



CERTIFIED



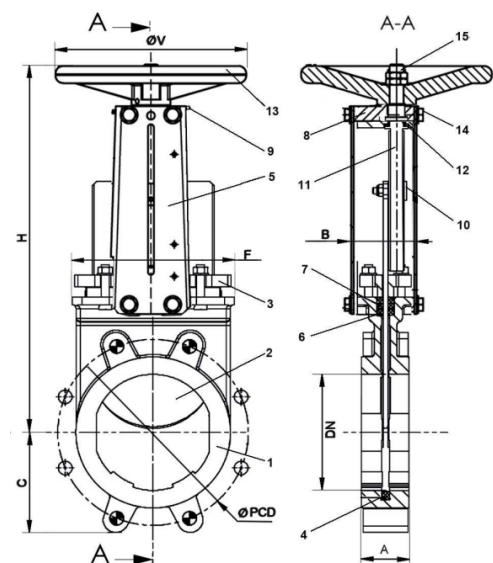
SERIES: 43021

MANUFACTURER: **Tecofi**
VALVE DESIGNER - FRANCE

VALVE DIMENSIONS

DN	SIZE	A	B	C	H	F	V	ØPCD			Depth	Kg
50	2"	40	92	63	291	124	200	125	4xM16	0	8	7.5
65	2 1/2"	40	92	70	318	139	200	145	4xM16	0	8	8.8
80	3"	50	92	92	342	154	200	160	4xM16	4	10	9.4
100	4"	50	92	105	383	174	200	180	4xM16	4	10	11.5
125	5"	50	102	120	420	192	250	210	4xM16	4	10	15.4
150	6"	60	102	130	471	217	250	240	4xM20	4	12	19.8
200	8"	60	120	160	577	270	310	295	4xM20	4	12	34.8
250	10"	70	120	198	677	326	310	350	6xM20	6	15	47
300	12"	70	120	234	777	380	310	400	6xM20	6	15	68
350	14"	96	290	256	939	438	500	460	10xM20	6	19	129
400	16"	100	290	292	1037	493	500	515	10xM24	6	20	151

No	Description	Material
1	Body	Cast Iron, EN-GJL-250
2	Gate	SS 304
3	Packing	Ductile Iron
4	Seat	NBR
5	Support	Epoxy Coated Steel
6	Packing	PTFE
7	O'Ring	NBR
8	Nut Support	Zinc Plated Steel
9	Greaser	Zinc Plated Steel
10	Nut	Bronze
11	Stem	SS 303
12	Nut	Bronze
13	Handwheel	Cast Iron, EN-GJL-250
14	Washer	Bronze
15	Nut	Zinc Plated Steel



T +44 (0)1386 552369

E sales@allvalves.co.uk

W www.allvalves.co.uk

F +44 (0)1386 554227



MANUFACTURER: **Tecofi'**
VALVE DESIGNER - FRANCE

SERIES: 43021

TEMPERATURE AND PRESSURE

DN	Max Working Pressure	APPLICATION:
DN50-200	10 Bar	The Tecofi knife gate valve can typically be used for the following applications; <ul style="list-style-type: none"> • Pulp and Paper • Water • Water Treatment • Biogas • Chemical • Powder • Slurry and Waste • Mining
DN250	8 Bar	
DN300	6 Bar	
DN350-400	4 Bar	

ALL VALVES ONLINE

Offering a full range of actuated valve packages, manual valve range, pipe fittings and pumps, we have a product for all your requirements. As an ISO 9001-2015 Quality Approved and certified company, All Valves offer a quality service from pre-sale to post sale. Shipping millions of pounds in value of manual valve and actuated valve packages all over the world since its formation, All Valves are a trusted valve and actuator supplier to many companies all over the world. Working with the leading brands in most industries.



T +44 (0)1386 552369

E sales@allvalves.co.uk

W www.allvalves.co.uk

F +44 (0)1386 554227